



STELLAR® CONTAINER CARRIER TECHNICAL SPECIFICATION GUIDE

CONTAINER CARRIERS

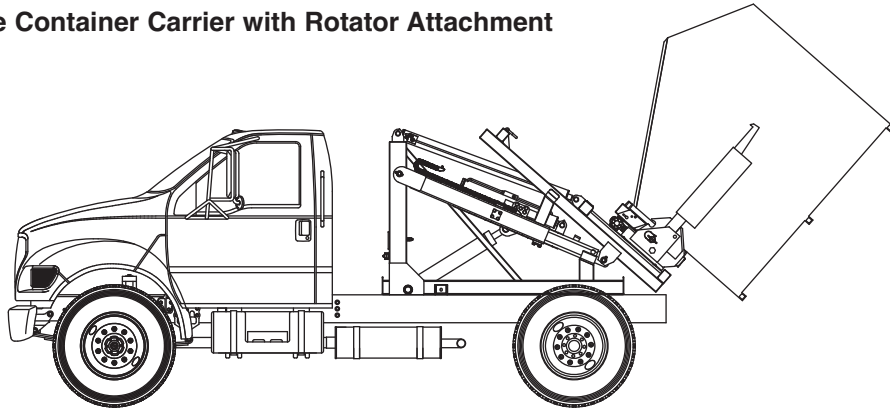
Container Carriers with Optional Rotator Attachment



Our People. Our Products.

■ **The Stellar® Extendable Container Carrier with Rotator Attachment**

Equipped with the hydraulic 360 degree continuous rotator, the container carrier can dump front-load containers in either direction of rotation.



The center of gravity of the ECCR unit is located approximately 9.25" in front of the rear axle. In the stored position, the center of gravity of the container is located approximately 45" behind rear axle.

Model ECCR: Extendable and retractable fork body with rotator

Model CCR: Non-extending with rotator

Model CC: Non-extending, non-rotating

Specifications	ECCR	CCR	CC
Lifting capacity	8,000 lbs (3,629 kg)	8,000 lbs (3,629 kg)	8,000 lbs (3,629 kg)
Dumping capacity*	8,000 lbs (3,629 kg)	8,000 lbs (3,629 kg)	NA
Transporting capacity**	8,000 lbs (3,629 kg)	8,000 lbs (3,629 kg)	8,000 lbs (3,629 kg)
Container sizes	2-10 yd ³	2-10 yd ³	2-10 yd ³
Type of containers	Front and rear load	Front and rear load	Front and rear load
Rotation	Worm/turntable gear bearings	Worm/turntable gear bearings	NA
Stacking capability	2-8 yd ³	2-8 yd ³	2-8 yd ³
Operating pressure	4,500 psi (31 mpa)	4,500 psi (31 mpa)	4,500 psi (31 mpa)
GPM	12 (45 lpm)	12 (45 lpm)	12 (45 lpm)
Hydraulic tank	10-gallon (38 ltr)	10-gallon (38 ltr)	10-gallon (38 ltr)
Recommended CA	84" to 114" (2,134 to 2,896 mm)	84" to 114" (2,134 to 2,896 mm)	84" to 114" (2,134 to 2,896 mm)
Controls	Inside & outside controls	Inside & outside controls	Inside & outside controls
Bushings and zerks	All pivot and rotation points	All pivot and rotation points	All pivot and rotation points
Container bumpers	Molded rubber	Molded rubber	Molded rubber
Hydraulic pump	Bent axis piston type	Bent axis piston type	Bent axis piston type
Valve bank	4-spool cable controlled	3-spool cable controlled	2-spool cable controlled
Min. chassis GVW	26,000 lbs (11.8 mt)	26,000 lbs (11.8 mt)	26,000 lbs (11.8 mt)
C/L of gravity	9.25" forward of rear axle	12.25" behind rear axle	Centered top of rear axle
C/L of payload	45" behind rear axle	65.5" behind rear axle	65.5" behind rear axle
Shipping weight	3,300 lbs (1,497 kg)	3,000 lbs (1,361 kg)	2,300 lbs (1,043 kg)

* Front load only

** Truck chassis manufacturer's specific body and equipment weight and center of gravity limitation must not be exceeded. Stellar® Container Carrier installation will require calculation of CG for compliance with Federal Motor Vehicle Safety Standards.

Your local dealer:

Western Cascade Container LLC
 1808 Baker Way
 Kelso, WA 98626
 360-577-1377

www.westerncascade.net



Our People. Our Products.

190 State Street
 P.O. Box 169
 Garner, IA 50438
 Telephone: (641) 923-3741 • (800) 321-3741
 Fax: (641) 923-2812
 Internet: www.stellarindustries.com
 Email: sales@stellarindustries.com