



STELLAR® CABLE HOIST TECHNICAL SPECIFICATION GUIDE

AFM60

60,000 Lb Above Frame Mount Cable Hoist



Our People. Our Products.

STELLAR® CABLE HOIST TECHNICAL SPECIFICATION GUIDE

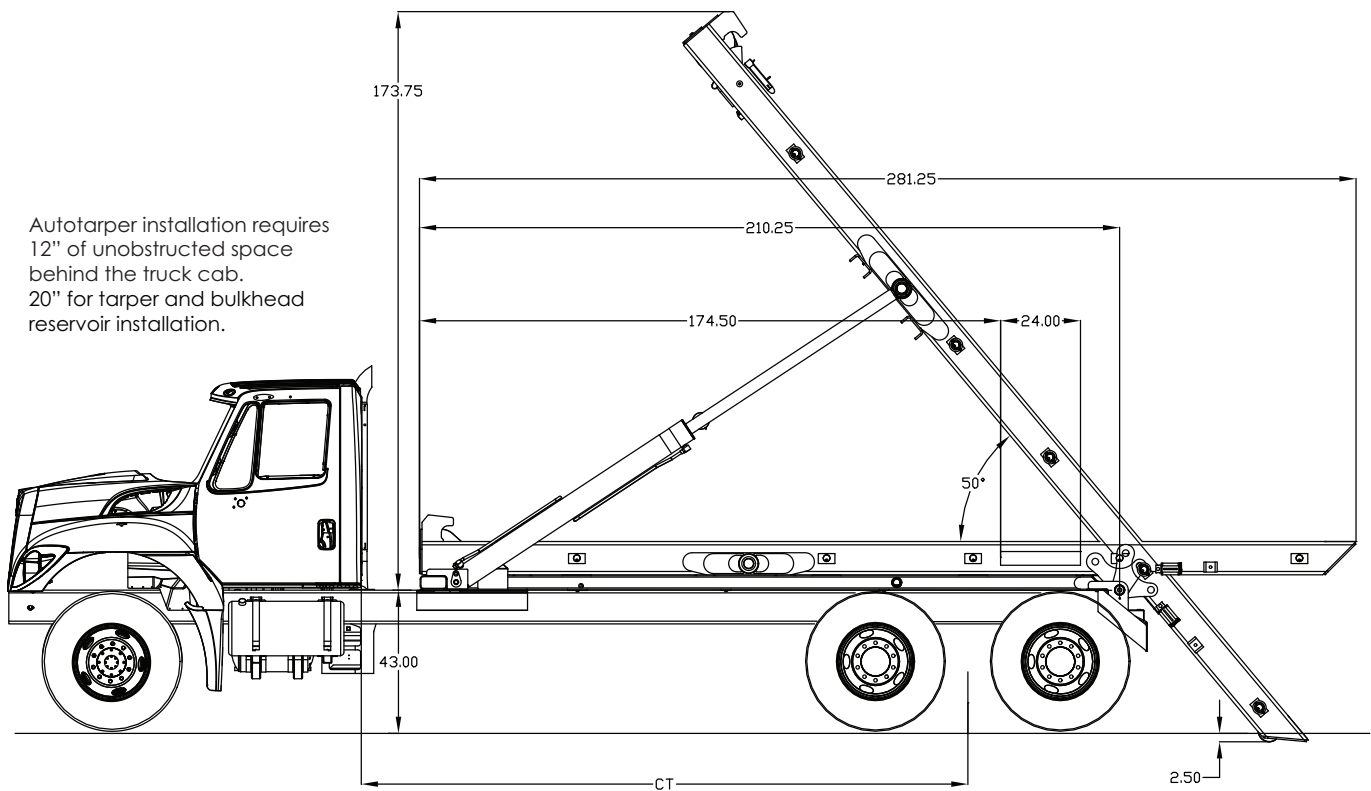
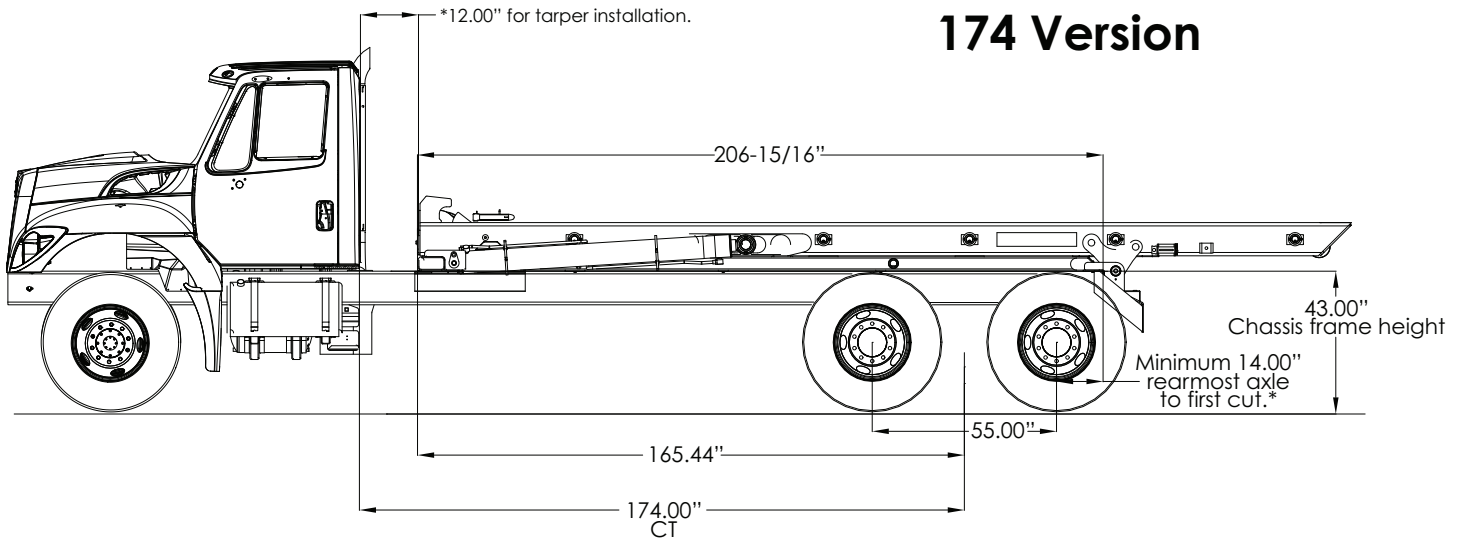
■ STANDARD EQUIPMENT

Hoist rated capacity	60,000 lbs
Main frame	10" x 4" x 1/2" A500 C tubing
Front stop	1" plate
Container lock	Automatic spring loaded
Lift cylinder shaft	2.5" zinc plated carbon steel
Rear hinge shaft	.3" zinc plated carbon steel
Cable	7/8" (6 x 37 EXIWRC)
Cable sheaves	Front sheave 13.38" / Reeving 10"
Cable anchor	4 cable clamps
Cable end	Steel casting
Container hold downs	Standard with ratchet winches and straps
Lift cylinders	6" x 72.25" D.A.
Reeving cylinder	6.5" x 80" D.A.
Direct mount pump	Piston type 25 GPM @ 1500 RPM
Operating pressure	4,500 PSI for 60,000 lbs
Hydraulic valve	2 spool 25 GPM safety bypass
Hydraulic reservoir	25-gallon 10 micron filter & screen filter
Outside rollers	4" O.D. with bronze bearing and grease zerks
Inside rollers	6" O.D. hardened roller & pins
Pivot points	Bushings and grease zerks
Safety stand	Accessible each side
I.C.C. Bumper	Folding, mounting lugs factory installed
Rear bumper	Pre-drilled bolt mount - LED sealed beam backup, clearance and tail lights
Hoist-up alarm	
Inside cab air controls and outside manual controls	

■ OPTIONAL EQUIPMENT

Inside controls	Direct connect, cable
Remote mount hydraulic pump	Piston type 25 GPM @ 1500 RPM
Auxiliary fold down front stops	For short containers
Full fenders	Tandem or tri-axle, 12 ga. steel or poly
Tool box	20" x 15" x 48"
3 and 4 Spool valve	For use with optional equipment as needed
Additional hydraulic lines	Single-acting hydraulic line to rear (Requires the 3 spool valve option or selector valve) Double-acting hydraulic line to rear (Requires the 3 spool valve option or selector valve) Double-acting hydraulic line to side (Requires the 3 spool valve option or selector valve)
"Drop-in" Stops	For short containers
Cab Guard	
PTO air operated with signal light	
Integrated 5-section valve bank for standard cable hoist and Stellar® Tarping System	

174 Version



■ FEATURES AND BENEFITS

Container Lengths	AFM60-174 can accommodate containers with 18' to 22' lengths and the AFM60-194 can accommodate containers from 18' to 24' in length.
Shipping weight	AFM60 - 174OR weighs 7,123 lbs.
Lift and dump capacity	60,000 lbs lifting and dumping capacity. The capacity is determined by the hydraulic pressure setting.
Cable	7/8" cable diameter (6x37 EXIWRC) is standard.
Cable routing	Cable is routed in a single direction of rotation. Cable routing does not switch directions from clockwise, to counter clockwise, then back to clockwise. The Cable75 cable runs only in one direction.
Single reeving cylinder	One 6.5" x 80" cylinder instead of two 7" x 80" cylinders that are used on current cable hoists today, therefore there are less seal kits to maintain. Sheave bushings and pins are greaseless. Bushings and grease zerks are installed in both rod-end pin bosses.
Reeving cylinder enclosure	Reeving cylinder rod is always covered by structural enclosure, which decreases the potential to expose the cylinder to damaging debris.
Dump cylinders	Two 6"x72.25" dump cylinders. Higher operating pressure allows for smaller cylinders, meaning greater payload each pull made. Bushings and grease zerks are installed in both pin bosses.
Hydraulic piston pump	Piston pumps are more efficient, have longer life, handle higher operating pressure and pressure spikes better than gear pumps.
35-gallon bulkhead reservoir	Bulkhead reservoir is standard
Functional speed	Hoist up = 30 seconds, hoist down = 11 seconds, cable in loaded = 30 seconds, cable out (unloading) = 30 seconds.
Zinc plated pins	Zinc plated steel pins are used in rear hinge, sheaves, and cylinders.
Bushings and grease zerks	Bushings and grease zerks at installed at all pivot points.
Finish paint	Two part polyurethane automotive finish paint.
Dump cylinder mounting	Cylinders are mounted above and outside of frame rails. This offers easier access and greater stability when dumping.
Main frame end plates	1/2" high strength wear plates added to end of main frame tubes.
Warranty	36 months structural, 12 months parts and labor.

Your local dealer:

Western Cascade Container LLC
1808 Baker Way
Kelso, WA 98626
360-577-1377

www.westerncascade.net



Our People. Our Products.

190 State Street
P.O. Box 169
Garner, IA 50438
Telephone: (641) 923-3741 • (800) 321-3741
Fax: (641) 923-2812
Internet: www.stellarindustries.com
Email: sales@stellarindustries.com